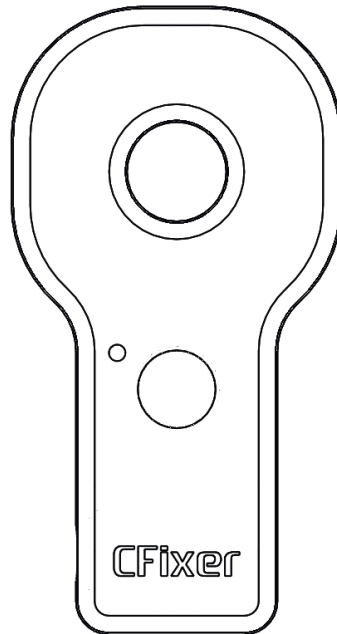


DEGAUSSING TOOL



Users manual for DJI compasses degaussing tool

CFixer is designed for resetting DJI drone compasses
to default factory settings

CFixer

Safety manual

CFixer is a powerful electromagnetic generator. Close interference with people with the cordial pacemaker must not be allowed, and as much with other medical devices that are sensitive to the electromagnetic field.

It is forbidden to use CFixer in close proximity to the bank cards or other cards with magnetic tape to avoid loss of information stored on the card.

CFixer is prohibited to children use without adult supervision.

Do not disassemble the device, do not use a faulty device.

In the case of damage caused to the device, in the case of smoke scent / fume please contact the seller immediately.

It is prohibited to put the device into water. Do not use device when it is raining.

Types and symptoms of electronic compass malfunctions

The most common malfunctions of the DJI multicopter compass are:

Camera roll level issue (on the Roll-axis) when rotates along the YAW.

Frequently emerging "Compass error" sign.

Toilet around the hover point.

In most cases these malfunctions are caused by excessive compass magnetization, which can be easily fixed with CFixer.

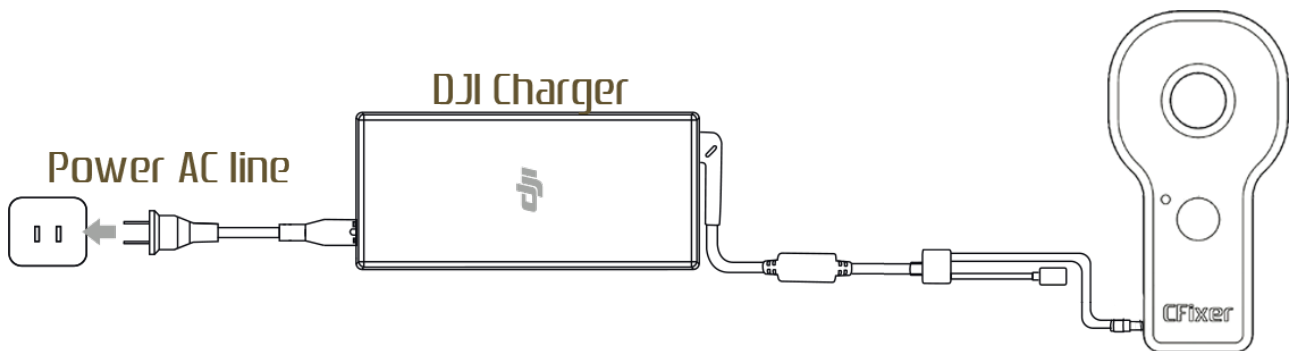
Description

CFixer is designed to restore the electric compass of DJI copters to the factory defaults.

The working principle aims to making an impact to the compass IC with electromagnetic field, time altered using a special algorithm.

CFixer is powered from standard DJI Power Supply through the connector, which is used for charging RC remote controller of the following quadcopters:

- DJI Phantom 3 adv/pro/4k;
- Phantom 4, 4 adv/pro and Plus versions;
- DJI Inspire 1 or 2.



Power supply of the following quadcopters - DJI Phantom 3 Sta / SE, Mavic and Spark – are not designed for CFixer usage. Owners of these multicopters shall use power adapter from their power supply to CFixer (must be purchased separately).

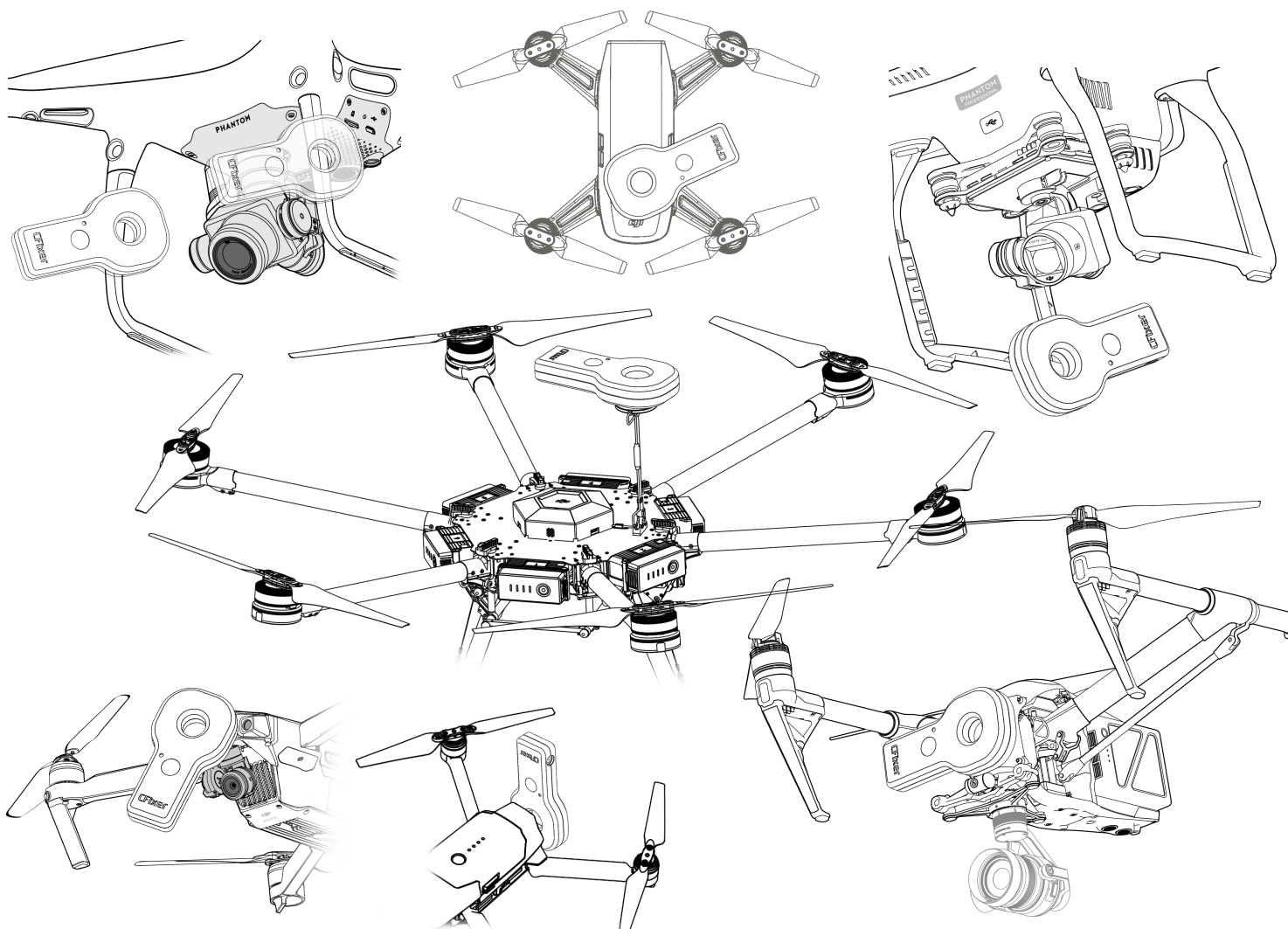
Owners of following multicopters – DJI S900, S1000, Matrice with DJI A2 and A3 controllers, as well as owners of multicopters from other manufacturers, in order to power up CFixer, shall use HP laptop charger with the connector DC7.4x5.0, with output voltage 19V and current power of no less than 3A.

Power supply usage from Dell laptops with the same connector is strictly prohibited to avoid damage to laptop's power supply

Operation procedure

1. Identify the location of your copter's compass. If necessary, take off protection panels to obtain direct access to the compass so that the distance between CFixer and the compass is no more than 15 mm. Different compass locations for DJI multicopters are shown below.
2. Connect CFixer to the power source. When the indicator lights up CFixer is ready to work.
3. Place CFixer's hole next to the compass and press the button. You will hear the signal and the light indicator will start to blink.
4. Wait until the second signal again, which will confirm that the demagnetization process is completed (usually 5-7 seconds). The indicator light should stop blinking. CFixer is ready to work again. It is recommended to repeat the whole process of demagnetization two times for the proper result.
5. Repeat the procedure with the other compasses in your multicopter (if present).
6. Turn off CFixer from the power source.
7. Perform compass calibration accordingly to the multicopters users manual, away from any sources of magnetic field (buildings, vehicles, underground, massive metal constructions, power transmission lines).

When powering CFixer from DJI Mavic / Spark battery pay attention to the battery charge - it must be fully charged. The battery charge indicator should have 4 indicators on

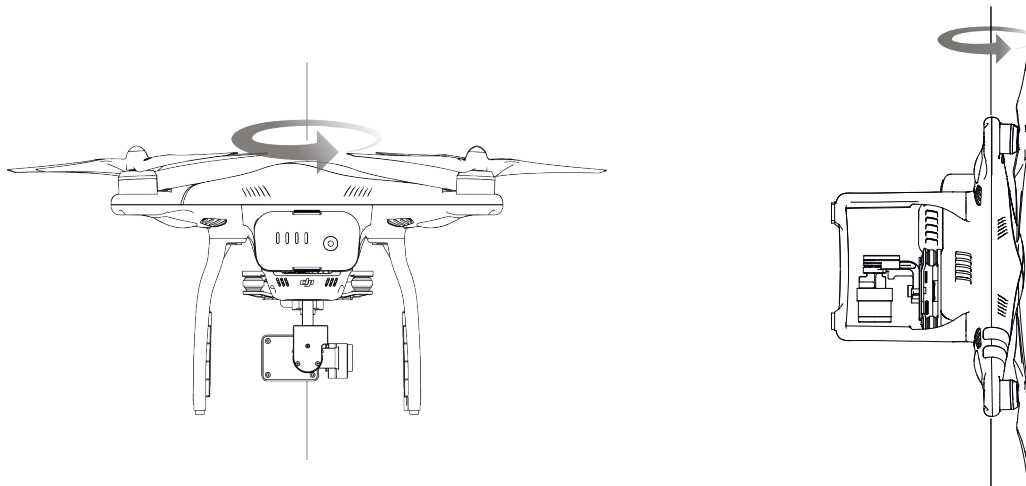


It is recommended to perform compass calibration in a field or a forest

CFixer can be used the same way whether multicopter is turned ON or OFF, it has no influence on demagnetization process of the compass.

After having demagnetized multicopter's compass and having performed it's calibration, it is not necessary to repeat calibration again after using CFixer. Multicopter memorizes the «clear» calibration state so that for the next time you can just perform demagnetization without doing a calibration afterwards; which significantly reduces time spent returning the compass to the factory state.

PERFORM A COMPASS CALIBRATION ACCORDINGLY TO YOUR MULTICOPTER USERS MANUAL



What to do if nothing has worked out

If after having completed demagnetization process followed by compass calibration procedure your multicopter still hasn't got rid of magnetized compass symptoms, do contact special service centre. In rare cases given symptoms may be caused by some other multicopter malfunctions (technical microchip malfunction of a compass, cable malfunction, multicopter software issues, incorrect IMU calibration or malfunction).

Warranty

Factory warranty for CFixer is 12 months from the date of purchase.

During the warranty period factory provides repair of possible CFixer defects caused by the factory without any additional payment from the purchaser (free of charge).

In case of malfunction, it is necessary to contact the particular seller your CFixer was purchased from.

Technical specifications

Housing: plastic;

Voltage supply: 12 to 26 volts D.C.

Consumption current: no more than 3A.

Dimensions: 55 x 98 x 17 mm;

Weight without a wire: 160 g;

Operating temperature range: from -20 to +40 °C

RUSSIAN FEDERATION

www.cfixer.com

FixYourCompass@gmail.com

WhatsApp / Viber

+1 (307) 264-0934



2017 CFixer Team