



MATTE BOX

CAGE & SIDE FLAGS

ASSEMBLY INSTRUCTIONS



WWW.RED.COM

RED® MATTE BOX CAGE & SIDE FLAGS ASSEMBLY INSTRUCTIONS

TABLE OF CONTENTS

DISCLAIMER	1
Copyright Notice	1
Trademark Disclaimer	1
BEFORE YOU START	2
Read First.....	2
Matte Box Cage and Side Flags Kit Components	3
Tools Required.....	3
INSTALLING MATTE BOX CAGE	4
INSTALLING SIDE FLAGS	8

RED® Matte Box Cage & Side Flags Kit

Assembly Instructions

August 18, 2011

DISCLAIMER

RED® has made every effort to provide clear and accurate information in these Assembly Instructions, which are provided solely for the user's information. While thought to be accurate, the information in this document is provided strictly "as is" and RED will not be held responsible for issues arising from typographical errors or user's interpretation of the language used herein that is different from that intended by RED. All safety and general information is subject to change as a result of changes in local, federal or other applicable laws.

RED reserves the right to revise these Assembly Instructions and make changes from time to time in the content hereof without obligation to notify any person of such revisions or changes. In no event shall RED, its employees or authorized agents be liable to you for any damages or losses, direct or indirect, arising from the use of any technical or operational information contained in this document.

For comments or questions specifically about the Assembly Instructions content, please send a detailed message to OpsGuides@red.com.

COPYRIGHT NOTICE

© 2011 Red.com, Inc.

All trademarks, trade names, logos, icons, images, written material, code, and product names used in association with the accompanying product are the copyrights, trademarks or other intellectual property owned and controlled exclusively by Red.com, Inc.

TRADEMARK DISCLAIMER

All other company, brand and product names are trademarks or registered trademarks of their respective holders. RED has no affiliation to, is not associated or sponsored with, and has no express rights in third-party trademarks. Torx® is a registered trademark of Textron, Inc.

RED® MATTE BOX CAGE & SIDE FLAGS ASSEMBLY INSTRUCTIONS

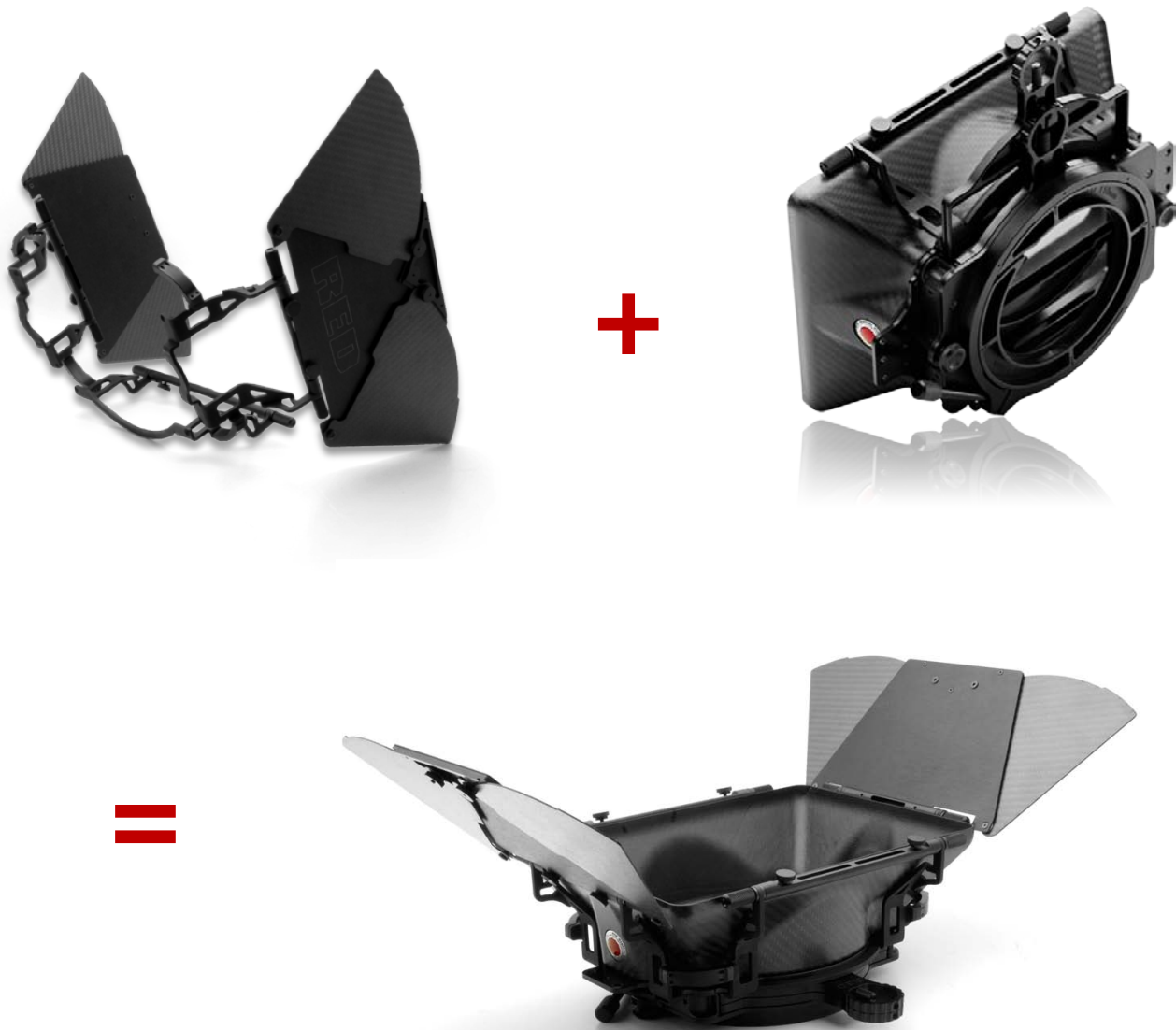
BEFORE YOU START

READ FIRST

RED is providing the following assembly instructions to our customers for installing the Matte Box Cage and Side Flags Kit to your Matte Box.

Please understand that any damage that occurs to your Matte Box or Matte Box Cage and Side Flags Kit while installing IS NOT covered under RED warranty.

If you want RED to perform the installation of the Matte Box Cage and Side Flags Kit to the Matte Box for you, RED will do so free of charge. Please contact your Bomb Squad rep for complete details.



RED® MATTE BOX CAGE & SIDE FLAGS ASSEMBLY INSTRUCTIONS

MATTE BOX CAGE AND SIDE FLAGS KIT COMPONENTS

The RED Matte Box Cage and Side Flags Kit include the following:

- 1 – Assembled Matte box Cage
- 4 – M2 x 8mm Flat Screws
- 6 – M3 x 6mm Flat Screws
- 1 – T-6 Torx® Driver
- 1 – T-10 Torx® Driver
- 2 – Side Flags (Carbon Fiber)

TOOLS REQUIRED

The following is a list of tools required to install the Matte Box Cage and Side Flags Kit to your Matte Box:

- T-6 Torx® Driver (Included)
- T-10 Torx® Driver (Included)

RED® MATTE BOX CAGE & SIDE FLAGS ASSEMBLY INSTRUCTIONS

INSTALLING MATTE BOX CAGE

1. Place matte box face-down on a flat surface.



Figure 1: Preparing Matte Box for Cage Installation

2. Remove the two filter tray lock screws (1) from the matte box by un-screwing to allow for proper clearance during installation of the cage.

IMPORTANT: Note the locations when removing two filter tray lock screws and ensure they are installed in the same hole as removed. Each side has two possible mounting locations – one for the front tray, one for the rear tray.

RED® MATTE BOX CAGE & SIDE FLAGS ASSEMBLY INSTRUCTIONS

3. Un-screw the pinch ring assembly thumbscrews (2).

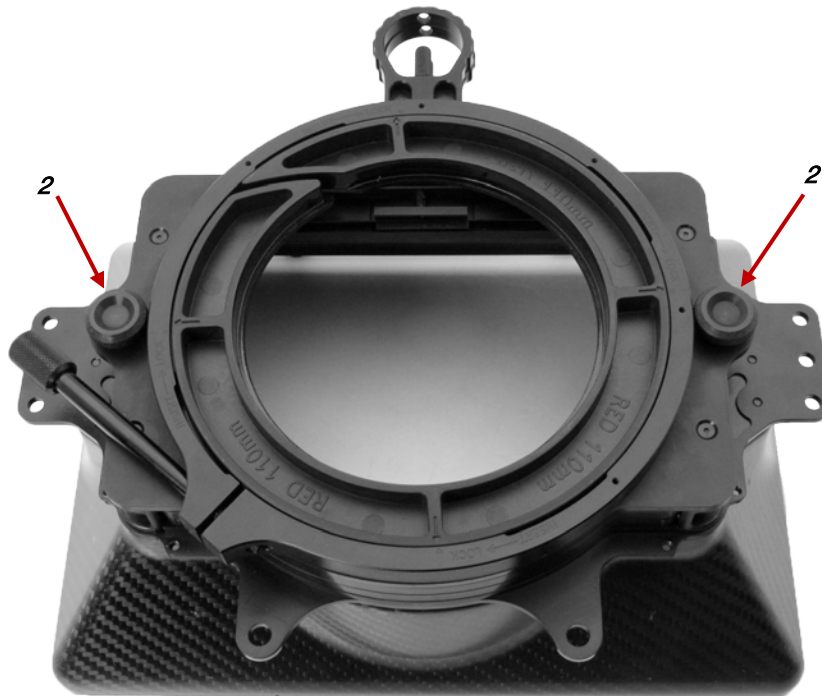


Figure 2: Un-Screwing Pinch Ring Assembly Thumbscrews

4. Remove the pinch ring assembly from the matte box. Note the orientation of the pinch ring assembly for installation.



Figure 3: Removing Pinch Ring Assembly

RED® MATTE BOX CAGE & SIDE FLAGS ASSEMBLY INSTRUCTIONS

5. Place the cage over the matte box.



Figure 4: Placing Cage on Matte Box

NOTE: When installing the cage, it will not fit flush with the mounting points on the matte box as long as the matte box is sitting flat on the surface. You will need to raise, and if necessary, support the matte box away from the surface.

6. Install the six M3 x 6mm Flat Screws securing the cage to the matte box loosely using the T-10 Torx Driver.



RED® MATTE BOX CAGE & SIDE FLAGS ASSEMBLY INSTRUCTIONS

7. Install the four M2 x 8mm Flat Screws that attach the cage couplers between the top cage and side cages using the T-6 Torx Driver and hand-tighten.

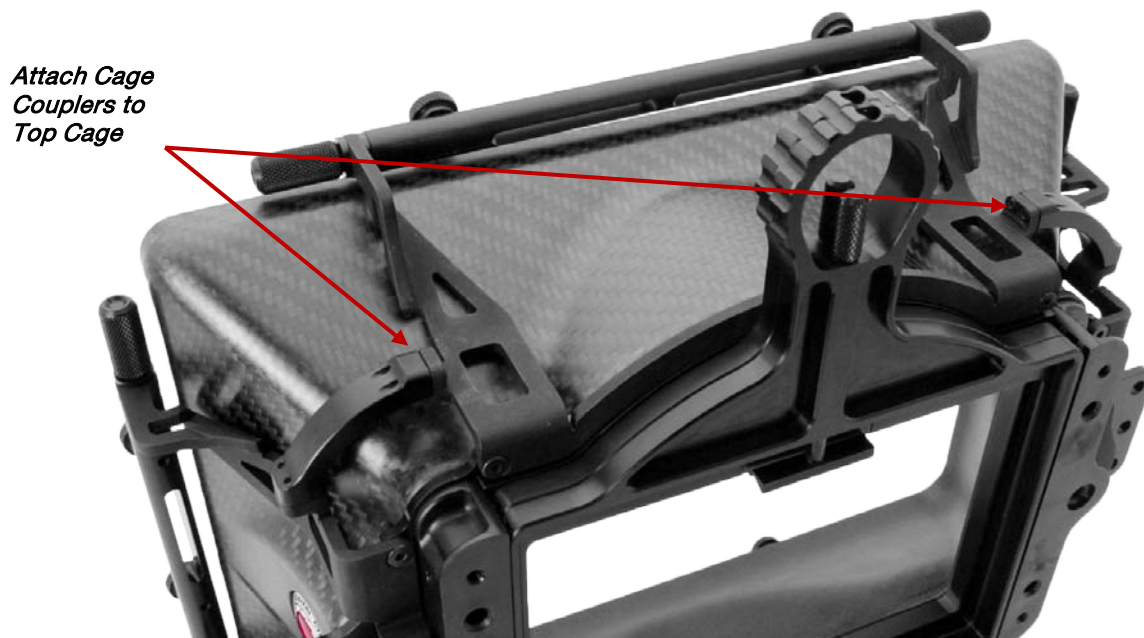


Figure 5: Attaching Cage Couplers to Top Cage

IMPORTANT: Tighten screws snug but **DO NOT** over-tighten to prevent damage to the threads or screws.

8. Hand-tighten the M3 x 6mm Flat Screws securing the cage to the matte box.
9. Install the pinch ring assembly onto the matte box in the position noted during removal and tighten the thumbscrews.



Figure 6: Installing Pinch Ring Assembly

10. Install the two filter tray lock screws onto the matte box.

RED® MATTE BOX CAGE & SIDE FLAGS ASSEMBLY INSTRUCTIONS

IMPORTANT: Install the two filter tray lock screws - ensure they are installed in the same hole as removed. Each side has two possible mounting locations – one for the front tray, one for the rear tray.

11. Cage installation is complete.



Figure 7: Cage Properly Installed on Matte Box

12. Go to INSTALLING SIDE FLAGS.

INSTALLING SIDE FLAGS

1. Loosen the setscrews.

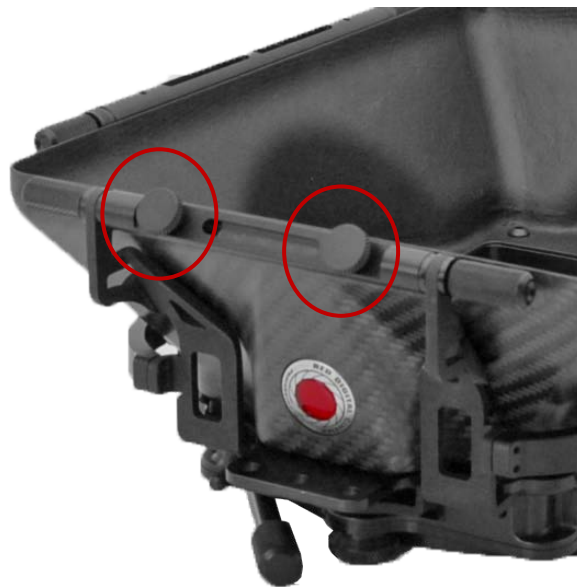


Figure 8: Loosening Side Flag Attachment Set Screws

RED® MATTE BOX CAGE & SIDE FLAGS ASSEMBLY INSTRUCTIONS

2. Insert the Flags by aligning the slots with the setscrews.



Figure 9: Installing Side Flag

3. Hand-tighten the setscrews.



Figure 10: Tightening Side Flag Attachment Set Screws

4. Repeat for other side.

RED® MATTE BOX CAGE & SIDE FLAGS ASSEMBLY INSTRUCTIONS

5. To extend the flags, loosen the setscrews, extend the flags to the desired position and tighten the setscrews.



Figure 11: Opening Side Flags

6. Your Matte Box Cage and Side Flags Kit installation is complete.



Figure 12: Cage and Side Flags Properly Installed on Matte Box



RED DIGITAL CINEMA®

© 2011 RED.COM, INC.

All trademarks, trade names, logos, icons, images, written material, code, and product names used in association with the accompanying product are the copyrights, trademarks or other intellectual property owned and controlled exclusively by Red.com, Inc.