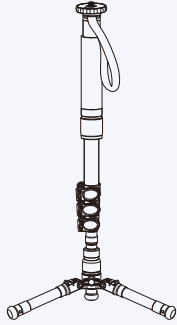




Professional Photographic Equipment

INSTRUCTIONS

EP-S Series Multi-function Photo/Video Monopod



Know your EP-S Series Multi-function Photo/Video Monopod

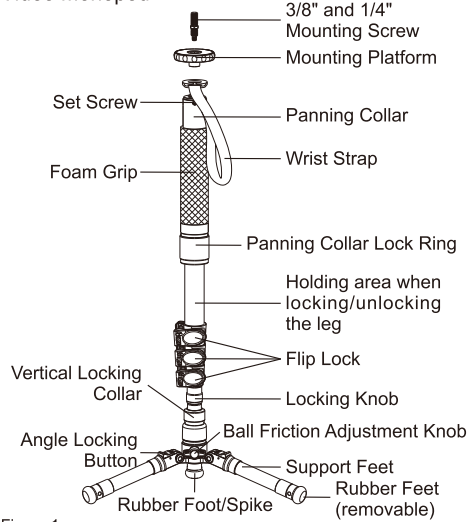
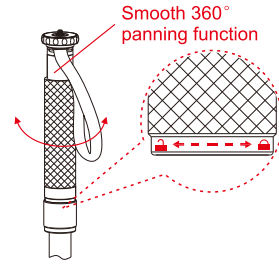


Figure 1

Rotating and locking function of the Panning Collar



Smooth 360° panning function
Turn the Panning Collar Lock Ring to the side to turn the Panning Collar. Turn to to prevent the Panning Collar from turning.

Figure 2

Monopod Ball Head Base Friction Adjustment

The Ball Friction Adjustment Knob adjusts the friction of the ball head (turn counter-clockwise to decrease friction) or stops the ball from swiveling (turn clockwise to increase friction).

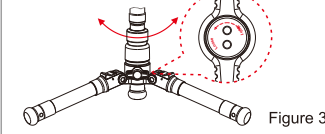


Figure 3

Operation of the Flip Lock and Leg Extension

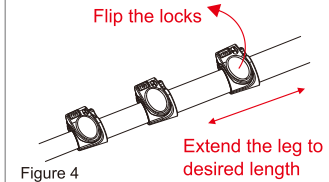


Figure 4

Tilt and Vertical Locking Control

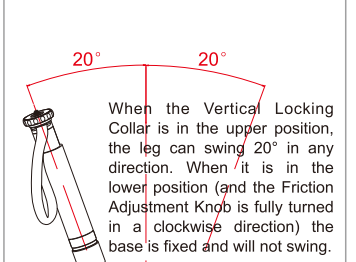


Figure 5

Converting from 3/8\"/>

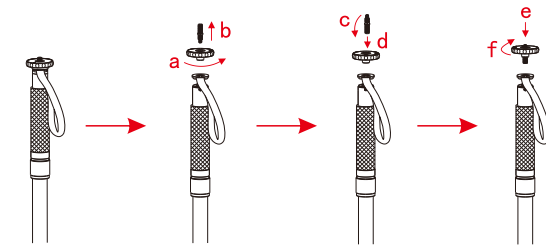


Figure 6

The EP-S offers added stability when the Support Feet are opened

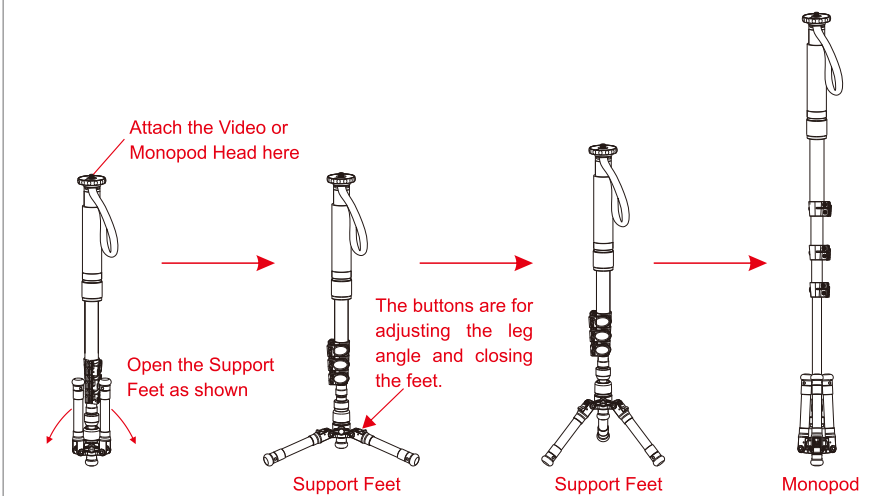


Figure 7

EP-S Series Multi-function Photo/Video Monopod Data Chart

	max	Load kg/lb	Weight kg/lb	Monopod Min/H mm/inch	Monopod Max/H mm/inch	Min Dia mm/inch	Max Dia mm/inch	Section
EP-204S	8	8/17.6	1.1/2.4	610/24.0	1600/63.0	19/0.7	28/1.1	4
EP-224S	8	8/17.6	1.0/2.2	610/24.0	1600/63.0	19/0.7	28/1.1	4

1. Know your Multi-function Photo/Video Monopod (figures 1-4)

EP-S Series monopods have Flip Leg Locks. The Panning Collar can rotate 360° or be locked by twisting the Panning Collar Lock Ring. The top of the Panning Collar has a mounting platform. The base has a ball that can swiveling 20° in any direction and has friction adjustment. The Vertical Locking Collar can hold the monopod upright. The Support Feet add stability and height to the monopod.

2. Extension Leg Section

Open the Flip Leg Lock (figure 4) and adjust the leg sections to the desired length. Extend and lock the leg from big to small sections. Close and lock the leg from small to big sections.

3. Converting the Mounting Screw (as figure 6)

The mounting screw can be converted from 3/8\"/>

4. The EP-S offers added stability when the Support Feet are opened

The Support Feet have three positions - First angle for maximum stability. Second Angle for increased height and locked up for use as a basic monopod. (As shown in figure 7)

Guangdong SIRUI optical co.,ltd
Address: The Third Industrial District, Wuguishan Town, Zhongshan City, Guangdong, China
Tel: 0086-760-88997373 Fax: 0086-760-88207062 Service Hotline: 0086-400-8302299
E-mail: info@sirui-photo.com http://www.sirui.com P.C: 528458

Multi-function Photo/Video Monopod can be separated into a monopod and table-top tripod

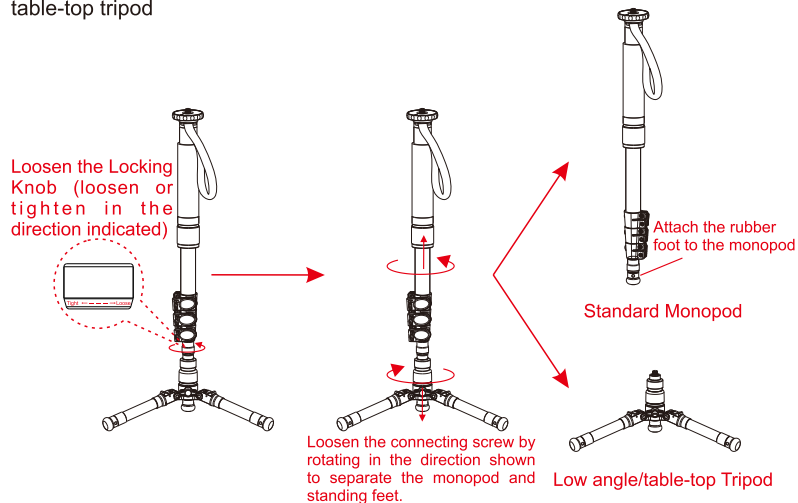


Figure 8

Use table-top tripod for low angle shooting

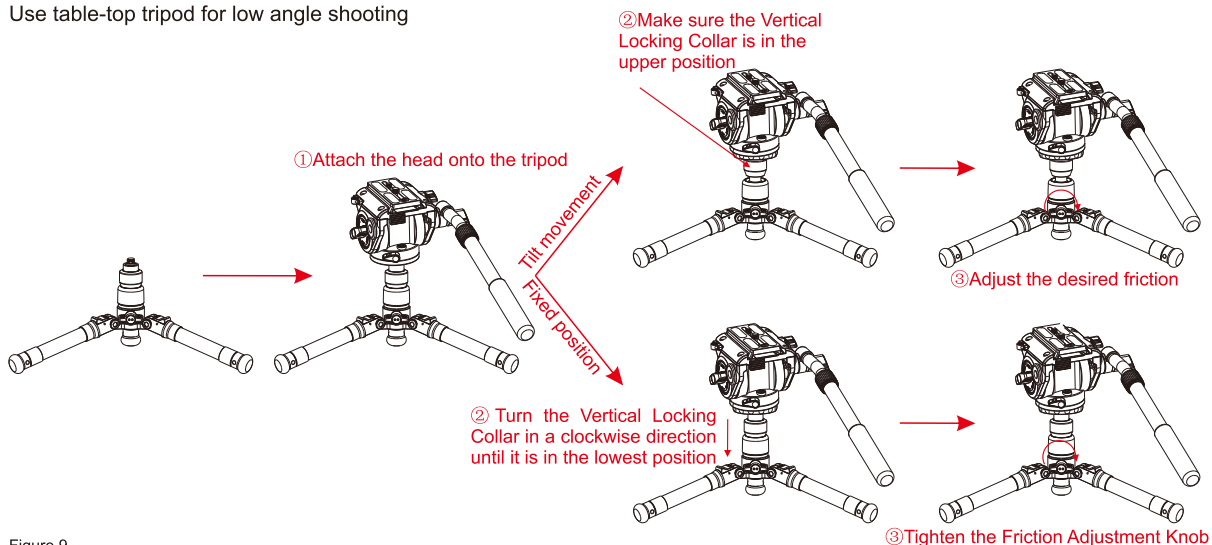


Figure 9

SIRUI VH-90 Quick Release Platform and VA-5 or VH-10 Video Head are available separately

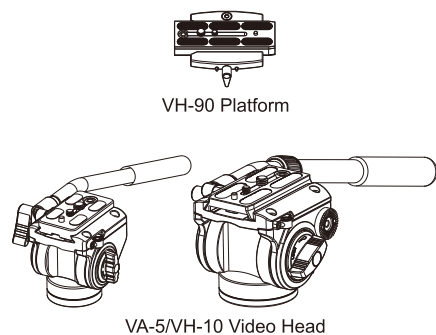
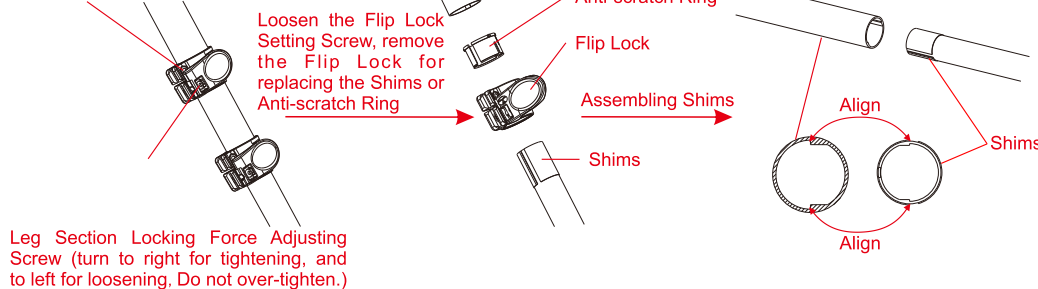


Figure 10

Maintenance of the Flip Lock

Flip Lock Setting Screw (turn to right for tightening, and to left for loosening)



Leg Section Locking Force Adjusting Screw (turn to right for tightening, and to left for loosening. Do not over-tighten.)

Figure 11

Attention:

- Do not exceed the recommended maximum load weight (please refer to the manual).
- Please make sure that the locks are securely tightened when in use. For added safety, please put your wrist through the wrist strap when using the monopod.
- This product should not be used in environments that exceed the following conditions (-40 ~ +100°C/-40 ~ +212°F). And, when used in damp, dirty or dusty environments, please clean and dry thoroughly after use, to assure proper functioning in the future. It is not recommended to expose this product to saltwater. If exposed, please clean with mild soap and warm water and towel dry.
- Please keep from high temperatures and direct exposure to bright sunlight for extended periods of time.
- Please do not leave the equipment alone in a public place, which can be an inconvenience or hazard to others.
- To protect your camera gear, please remove it from the tripod/ball head when transporting from place to place.
- Please use a soft towel with warm water and mild soap to clean the locking system and gliding parts when necessary. Towel dry before storing the monopod.
- Under most situations, there is no need to lubricate any parts of this product. The addition of most lubricants will gum up the mechanisms and reduce their normal gliding characteristics. Please call or email us if you have any questions or special needs.
- Please keep this product away from all electrical power sources.

5. The Multi-function Photo/Video Monopod can be separated into a monopod and table-top tripod. (figure 8)

6. Use table-top tripod for low angle shooting (figure 9)

7. SIRUI VH-90 Quick Release Platform and VA-5 or VH-10 Video Head are available separately (figure 10).

8. Maintenance of Flip Locks (figure 11)

Caution:

1. After the Flip Lock is open, extend the leg sections slowly by hand to the desired length to avoid any unexpected damage or injury when extending the leg sections too quickly.
2. When separating the monopod section from the table-top tripod, place the Multi-function monopod on the ground with the support feet open as shown in figure 8 to avoid unexpected damage or injury.
3. Don't over-tighten the flip Lock Setting Screw or Leg Section Locking Force Adjusting Screw.

Warning

The SIRUI EP-S Photo/Video monopod is not designed to be used as a stand-alone support. To prevent damage to your equipment, you must hold onto your equipment and/or keep your foot on the support feet at all times.



CAUTION!

Do not place the monopod, with camera attached, over your shoulder or carry the monopod horizontally by the leg. Strong shaking may cause damage of the screw in the mounting plate and/or the camera. Please extend the legs from the biggest tube to smallest tube; close the legs from the smallest tube to biggest tube, to avoid leg joint bushing damage.

Specifications are subject to change without notice.