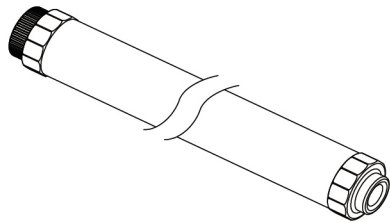


LUXCEO®

RGB LIGHT WAND

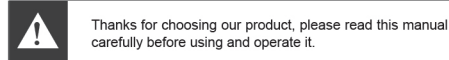
Executive Standard: GB 7000.1-2015 GB 7000.204-2008

P120



SHENZHEN DISCOVER TECHNOLOGY CO., LTD
 Add: 4F, 4B, Haomai High-tech Park 387 Huating Rd. Dalang St. Longhua District, Shenzhen 518109 China.
 Tel: 400-6618-101 Web: www.luxceo.com

P120



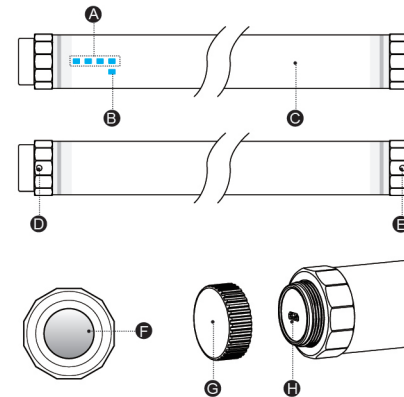
Product Features

- The product is waterproof IP68. It can be used on rainy day and underwater photography.
- Stepless color temperature and dimming, the maximum power is 18W.
- Bi-power supply, built-in rechargeable 7.3V 10400mAh lithium battery. It can work up to 5 hours at the brightest level after full charge.
- With gimbal frame. It can be used with tripods.
- With hook, it can meet different fixed scenes.
- It can be controlled by remote controller and Tuya Smart Application.
- Built-in intelligent quick charging scheme, please charge it in 18W quick charging adapter.

Packing List

LED photography light X1	USB cable X1
Remote controller X1	Gimbal frame X1
User manual X1	Qualified certificate X1

Product Appearance

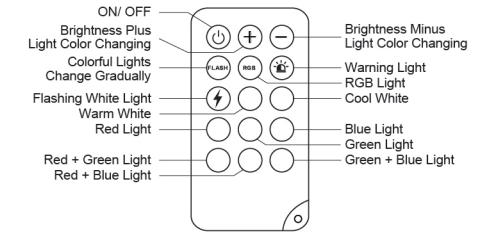


- A** Power & Charging indicator
- B** Bluetooth indicator
- C** Luminous surface
- D E** Lanyard hole
- F** Waterproof switch (Noctilucent function)
- G** Waterproof case (Unscrew the cap when need charge)
- H** Type-c interface

Product Instructions

- When the light is off: press the switch once to turn on the light (It will memorize the last brightness and color temperature).
- When the light is on:
 - Press the switch once to turn off the light.
 - Double-press to change the lighting modes: cool white → warm white → red light → green light → blue light → (red light + green light) → (red light + blue light) → (green light + blue light) → colorful light changing → RGB light → red/blue warning light → flashing white light.
 - Long press continuously to adjust the brightness. Long press again will adjust the brightness from the opposite. (namely from dark to bright or from bright to dark). The brightness won't change when it reaches to maximum or minimum.
 - It can be operated by remote controller. (Note: the remote controller doesn't work if the product is turned off by pressing the button switch).

Remote Controller Function Illustration Diagram:



Note: The button \oplus don't work when in the mode of Red and Blue Warning Light $\opl�$ and mode of Flashing White Light $\opl�$. The button \oplus will adjust the speed of the color changing when in the mode of Colorful Lights Change Gradually $\opl�$ and mode of RGB Light $\opl�$. The button $\opl�$ will adjust brightness when in the modes of Warm White, Cool White, Red Light, Blue Light, Red+ Green Light, Green+ Blue Light.

Tuya Smart Application (Bluetooth) Operation:

- Please scan the QR code below to download the application.
- Connect the Phone:
 - Long press the switch for 3 seconds to turn on Bluetooth after turning off the light. If there is a paired mobile phone before, you can directly use this mobile phone to control;
 - If there is no paired mobile phone before or need to clear the code to re-pair, and long press again after entering the Bluetooth mode, P120 will flash and then enter the pairing mode;
 - Connection: Turn on the Bluetooth of the mobile phone → Open the Tuya Smart Application → Click the "+" in the upper right corner → Click "Lighting" → Click "Lighting (Bluetooth)" → Click "Confirm the light has flashed" → Done
- Application Operation Interface:

Switch: Turn On/Off
 Color: White light mode, RGB full color mode
 Scene: 8 lighting application scenarios
 Music: Change the lighting color according to the music rhythm and volume (There is play music mode or microphone mode).

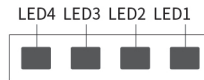


Tuya Smart Application

Charging Time

It will take about 6 hours to get full charge by 18W quick charging adapter

Power Display



Power Indicator Status in Charging

Battery C (%)	LED1	LED2	LED3	LED4
Full Charge	ON	ON	ON	ON
75% ≤ C	ON	ON	ON	Flash
50% ≤ C < 75%	ON	ON	Flash	OFF
25% ≤ C < 50%	ON	Flash	OFF	OFF
C < 25%	Flash	OFF	OFF	OFF

When the product is working in low battery, the first indicator will flash.

Power Indicator Status in Working

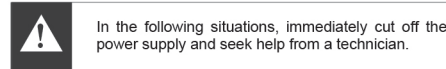
Battery C (%)	LED1	LED2	LED3	LED4
C ≥ 75%	ON	ON	ON	ON
50% ≤ C < 75%	ON	ON	ON	OFF
25% ≤ C < 50%	ON	ON	OFF	OFF
3% ≤ C < 25%	ON	OFF	OFF	OFF
0% ≤ C < 3%	Flash	OFF	OFF	OFF

Note: The battery indicators will be on when power bank discharges. When you press the button switch to adjust the lighting modes, the battery indicators will be off automatically after being on a few seconds.

Specifications

Name	RGB Light Wand		
Model	P120	Power	18W(MAX)
Input	DC 12V/1.5A	CRI	Ra>95
Luminous Flux	1350lm(MAX)	Weight	838g
CCT	3000K-5750K		
Size	~L1200×Φ36mm		
Battery	Li-ion 7.3V / 10400mAh		
Charging Time	~6hours (Used by 18W quick charging adapter)		
Operating temperature	0~40°C		
Storage temperature	-10~50°C		

Note: LED light source of this lamp is irreplaceable, please replace the whole lamp when LED Light source comes to the end of life.



- ⊙ Any liquid, including rain or water, spills into the product that will damage electronic components.
- ⊙ Product gives off gas or have an unusual flickering.
- ⊙ The cable is damage and one can see the bare wire.
- ⊙ The shell is broken.



PLEASE NOTE

- Keep the batteries away from fires and high temperatures.
- Do not place the light in fire in case of explosion.
- Do not modify or take this product apart. Don't shake, beat or strike it.
- Please check the voltage requirements before using to avoid damage to the light.
- Children should use this product in the company of their guardians. To avoid eye injury, please do not look directly at the glowing surface.
- Please charge the light at least once every three months. And don't put it into water or wet environment while charging.
- Please plug out the power cord while not using this light to avoid injury and damage.
- Please do not put it in damp environment or water when charging.

