



PL-E60/PL-E90 edge mounted SMD panel LED light
Ver:C

USER MANUAL

SWIT Electronics Co.,Ltd.



Tel:+86-25-85805753
Fax:+86-25-85805296
http://www.swit.cc
E-mail: contact@swit.cc

Congratulations on your purchase of this product. Please read this user manual carefully.

Features >>

- Using super high CRI SMD LEDs with accurate color temperature and 50,000hrs long life time;
- Edge mounted LEDs; the output light is stable, uniform, soft and glareless;
- Color temperature 2700K-6500K continuously adjustable, 0%-100% brightness adjustable;
- Provide normal and quick adjusting modes for color temperature and brightness;
- PL-E60 outputs 60W power, feeds 1500Lux luminance at 1 meter distance (center);
- PL-E90 outputs 90W power, feeds 2200Lux luminance at 1 meter distance (center);
- Super high CRI Ra 98, TLCI 99;
- Support powering by V-mount/Gold mount battery or 4-pin XLR, and has power reverse protection function;
- LCD displays current color temperature value, current dimmer percentage, power supply and remaining battery indications;
- All-metal body; super thin design;
- Can be hoisted or installed on a tripod by provided U-shape bracket;
- Optional 4-leaf barn door and 40° honeycomb

Specification >>

Model	PL-E60	PL-E90
Color temperature	2700K-6500K	
Brightness	0%-100%	
luminance	1500 Lux@1m	2200 Lux@1m
Half beam angle	Appr.70°(without honey comb) Appr.40°(with honey comb)	
CRI	98	
TLCI	99	
Working voltage	DC 11-36V	
Power consumption	Appr.60W	Appr.90W
Dimension	382mmx403mmx48mm	650mmx403mmx 48mm
Lighting area	257mmx257mm	526mm x 257mm
Net weight	3.1Kg	4.75Kg
Standard accessories	Power adaptor (x1), Carrying case (x1), Power cable (x1),	
Optional accessory	Honeycomb (x1), barn-door (x1)	

Clean >>

- Please clean the front LED panel with soft dry cloth. If using soft cloth with slight clean neutral detergent solution, please wipe again with a soft dry cloth.
- Do not use wet cloth, anhydrous alcohol, gasoline, or a mixture of anhydrous alcohol and ether etc. to wipe the front LED panel.

Usage >>

- Installation
 - Accessory installation
See [Optional Accessory Installation] for honeycomb and barn door installation
 - User can install the light on a tripod or stand, and adjust demand-ed beam angle by knob on both sides of the U-stand.
- Power supply
The light provides two ways of power supply, by V-mount or Gold mount battery or by 4-pin XLR AC-DC power. Turn on the light and set the color temperature and brightness to user' s requirements.
- Dimmer and color temperature setting
The light provides two ways of adjusting the color temperature and brightness: normal adjusting mode and quick adjusting mode. User can switch the adjusting mode by press the dimmer knob and color temperature adjusting knob. User can quickly set the dimmer and color temperature to their needs by combining two adjusting modes.
 - Normal adjusting mode
 - Color temperature adjust
Range: 2700K-6500K, adjust value: 50K
 - Dimmer adjust
Range: 0%-100%, adjust value: 1%
 - Quick adjusting mode
 - Color temperature adjust
Under this mode, user can quickly choose common color temperature: 2700K, 3200K, 4500K, 5600K, and 6500K
 - Dimmer adjust
Range: 0%-100%, adjust value: 10%

Caution >>

- Please do not disassemble the light or touch its inner part with metal;
- Please do not put the light under conditions full of dust or moisture to avoid damage;
- Only use the light in the temperature range of -10°C~40°C.

Appearance >>

Front view:

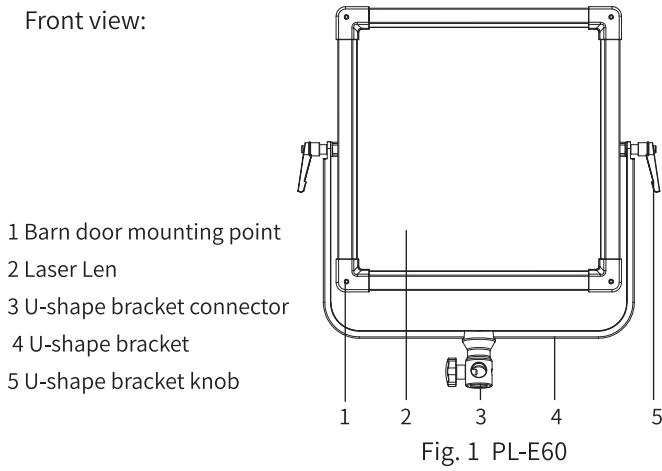


Fig. 1 PL-E60

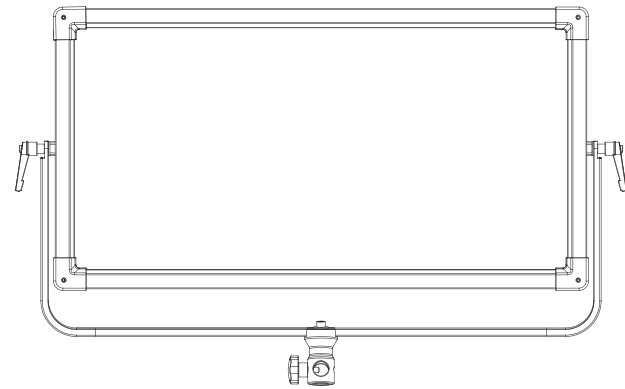


Fig. 2 PL-E90

Rear view:

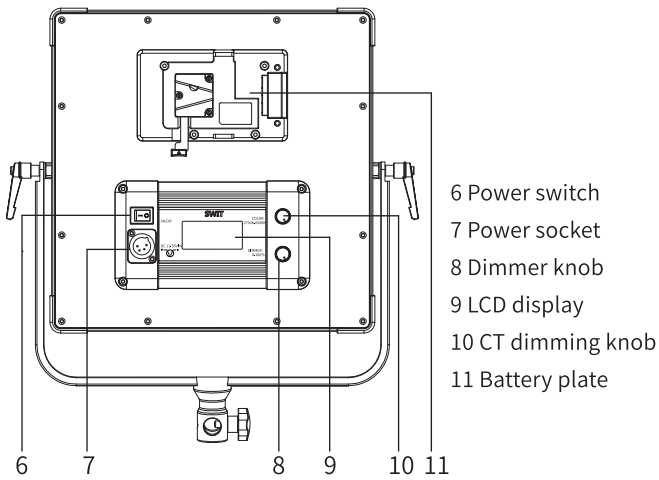


Fig. 3 PL-E60

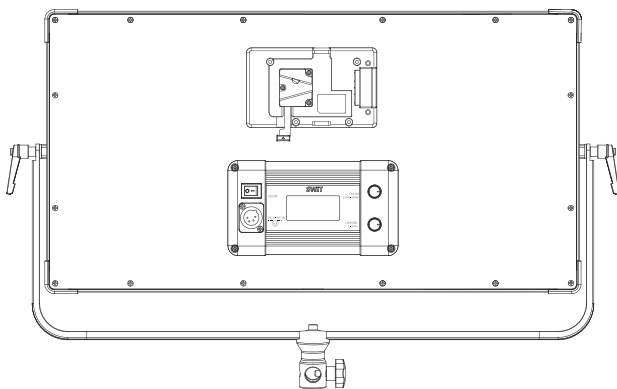


Fig. 4 PL-E90

Optional Accessory Installation >>

Fig.5~7 shows the assembly method of the optional accessories installation for PL-E60; the assembly method of PL-E90 is similar to PL-E60.

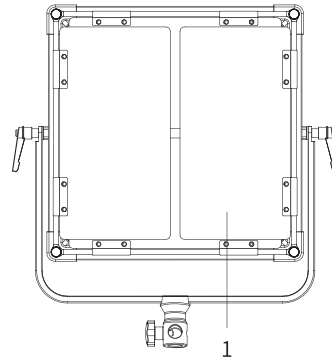


Fig. 5 Barn door installation

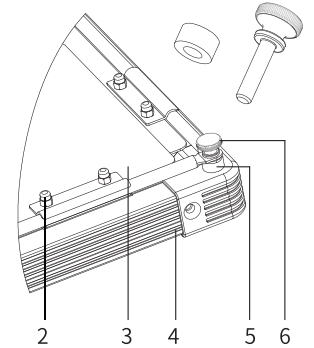


Fig. 6 Barn door installation

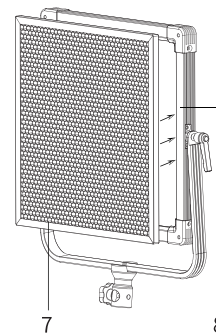


Fig. 7 Honey comb installation

- 1,3 Barn door
- 2 Round nut
- 4 The light body
- 5 Shim
- 6 Screw
- 7 Honey comb
- 8 The light body

●The way to install is shown as Fig 6. After installed, the front view of the barn door is shown in Fig 5.

Note: When install the barn door, put the round nut upward.

●Please affix the magic stick to the frame of both the honeycomb and light body before using. Fix the honeycomb according to the arrow direction, then user can use the light.

LCD display >>

For example: PL-E60, color temperature 5600K, dimmer 100%, powered by fully charged battery ,it will be display as below:

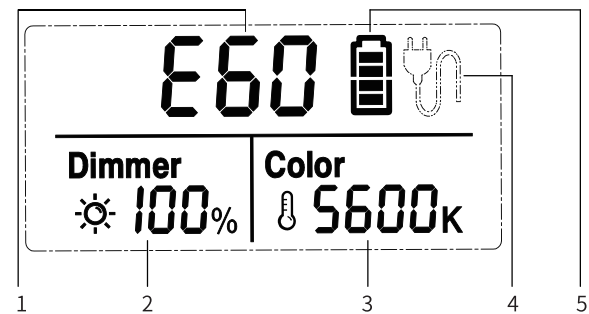


Fig 8 LCD display

- 1 Light model
- 2 Dimmer display
- 3 Color temperature display
- 4 Power supply display (by AC-DC adaptor)
- 5 Power supply display (by Li-ion battery)

Note:When powered by battery it will display battery

power percentage:

Four LEDs	About 80%-100%
Three LEDs	About 60%-80%
Two LEDs	About 40%-60%
One LED	About 20%-40%
No display (outline boarder flicker)	Under 20%, lack of power