

兰帕特
LanParte



**Lanparte v-mount
battery pinch**

**LPT-VBP-01
USER MANUAL**

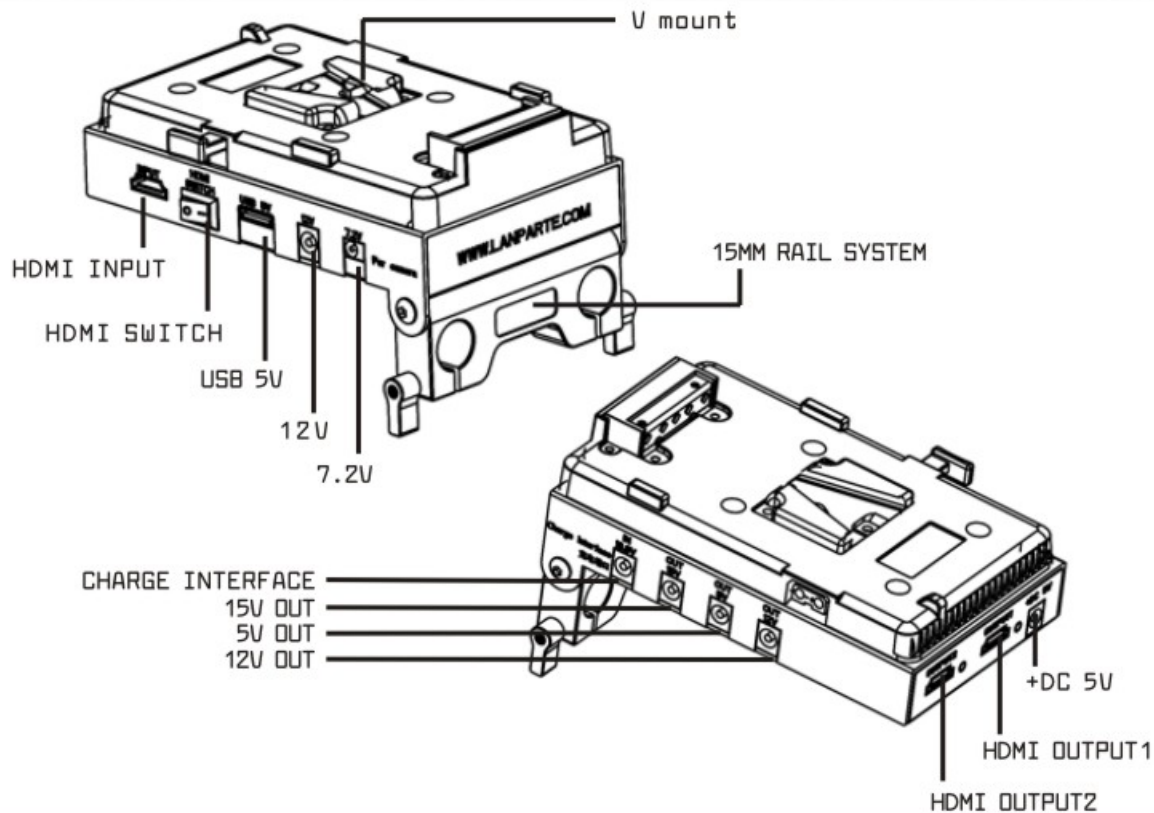
Lanparte v-mount battery pinch

CODE: VBP-01 WEIGHT:410G

SIZE:103*143*75.7MM

Items list

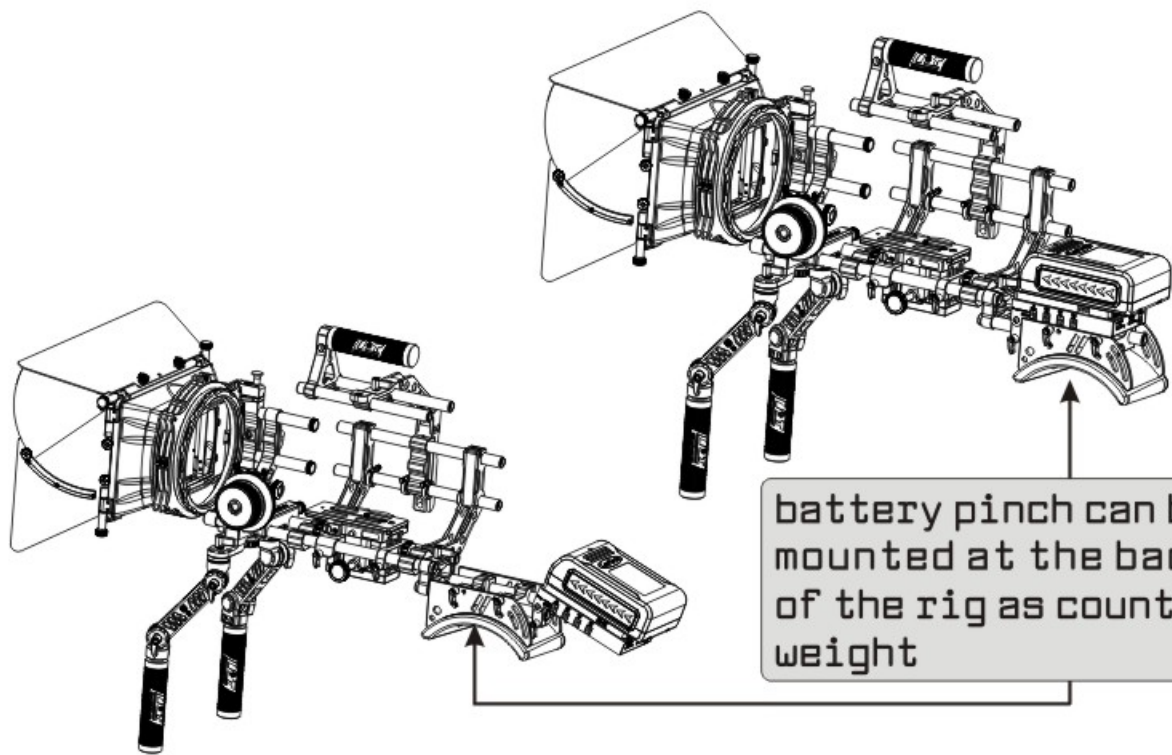
Item name	QUANTITY
Battery pinch	1PCS
DC wire	4PCS
Adaptor	1PCS



Lanparte Vbp-01 Ports Instruction

Note	Port Quantity	Note
5V out	X 1	for signal switch
7.2V out	X 1	for dslr(need adaptor)
12V out	X 2	for monitor
15V out	X 1	v mount battery voltage
16.8V IN	X 1	charging port
USB out	X 1	5V output for cellphone
HDMI IN	X 1	HDMI splitter input
HDMI OUT	X 1	HDMI splitter output

out put voltage	5	7.3	12	12	15
out put current		2.5	2.5	2.5	2.5
overvoltage protection	0.5v				
delay	short delay 1 second				
working temperature	-20° -45°				
temperature rise	≤45°C (full load)				
relative temperature	<90 %				
relative response time	≤0.01s				
relative response time	±1%				
output precision	≥5MΩ				
overload capacity protection function	maintain 2 times current for 1min overvoltage,under-voltage,overcurrent				



battery pinch can be mounted at the back of the rig as counter weight

- **Specifications:**

- Multi voltage output supporting: 5v, 7.2v, 12v and 15v.
 - Internal HDMI splitter capable of dividing a single HDMI stream into two outputs.

- Mounting plate for attaching and charging a V-Mount battery.
 - Can be used as a complete indoor power supply solution.
 - Tabs for attaching to 15mm Rail System.

- **Outputs:**

- 5v – for a signal switch machine such as an SDI to HDMI converter.

- 7.2v – outputs directly to power DSLR. **An extra adapter is required.**

- **Note:**

- The original DSLR battery contains 2 cells with a combined voltage of 8.4v and thus, our 7.2v output is capable of supplying 8.4v for both charging and maintaining the battery.

- 12v – for the monitor (and other 12v devices)

- 15v – direct output from the V-Mount Battery. This ensures that the VBP-01 correctly handles the voltage as the battery charges and discharges.

- **Important Notes:**

The switch on the side controls the HDMI splitter. On will split the input, off will pass the signal through.

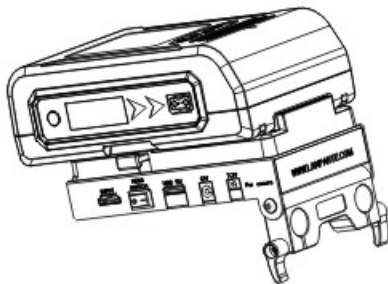
Please insert the HDMI cable into the HDMI IN port before connecting the monitors to the HDMI OUT port.

Never pull out the HDMI cable whilst the VBP-01 is operating as this may cause a spike which can damage your attached equi

Charging function

Plug the supplied adapter into the charging interface to begin charging the attached V-Mount battery.

Press the button on the battery to check the power level.



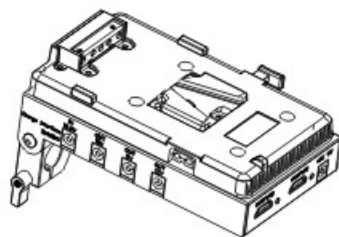
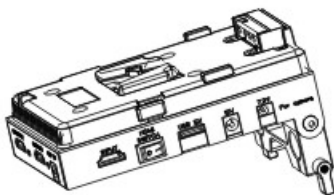
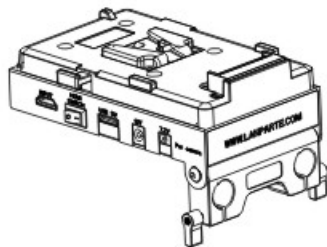
- **Power supply solution:**

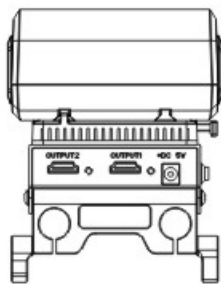
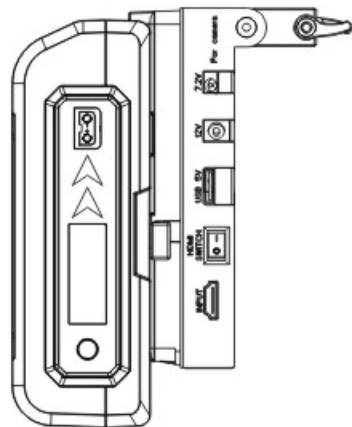
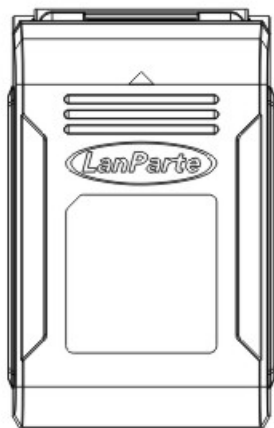
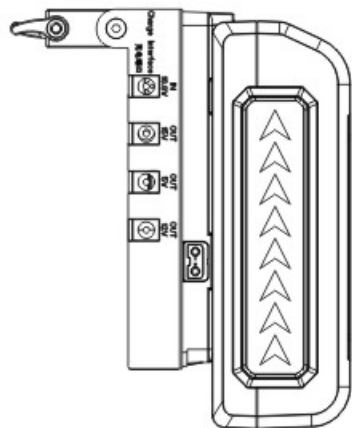
If you would like to supply power without using a V-Mount Battery, you may attach the charging adapter directly into the **15V** interface and attach your devices as per usual.

- **Mounting Solution:**

The VBP-01 comes complete with a 15mm rail clamp and is easily attached and removed from any standard 15mm rail set.

The VBP-01 works best in conjunction with the Lanparte Shoulder Pad which may be combined and attached to your rig as a counter-balance weight.





HongKong Lanparte Technology Limited

Tel :+86-769-81888368

Fax :+86-769-85841828

Email:info@lanparte.com

Add :39#, xin'an 2nd Road Chang'an Town
Dongguan City Guangdong China(PRC)

<http://www.lanparte.com>

Hotline:+86-400-602-6822